

# INTEGRATED Working Cell

**ALU**  
Loader

**ALU**  
Ranger

**OFF**  
Loader

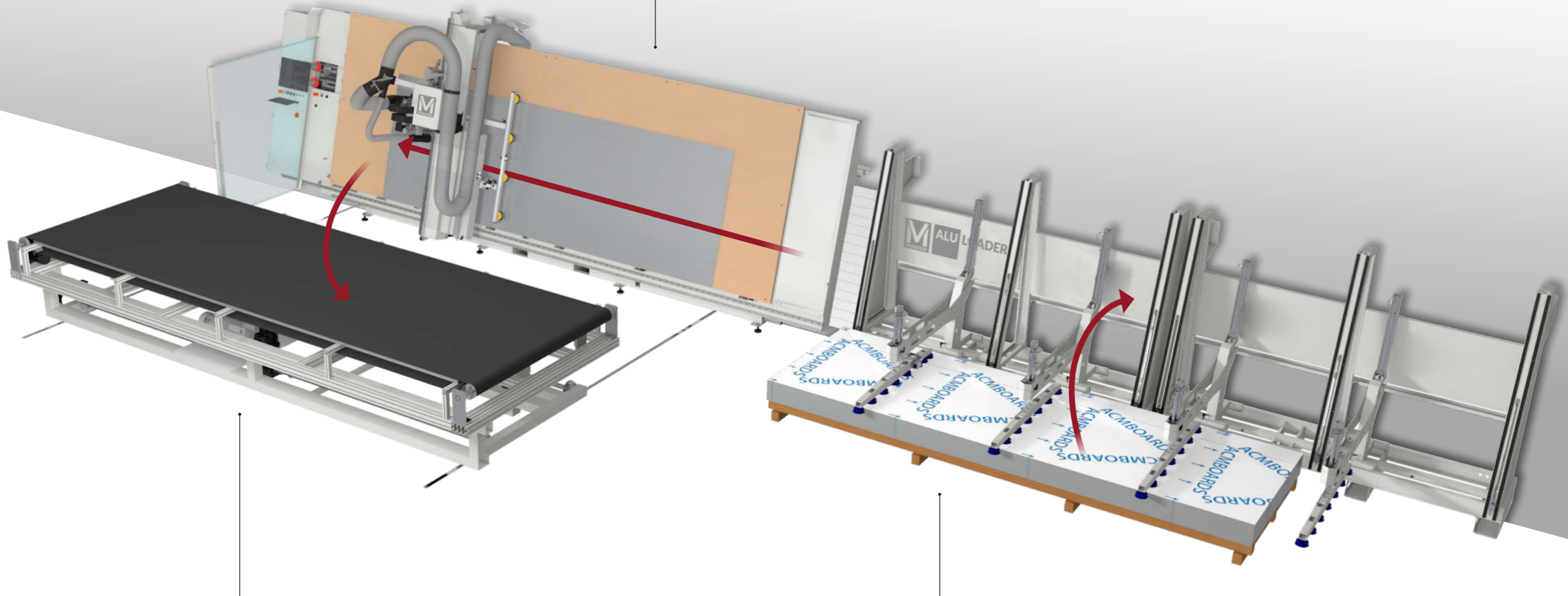
# INTEGRATED WORKING CELL

AUTOMATED LOADING - FABRICATION - OFF LOADING

- Automatic loading and positioning without operators
- Increased productivity
- Zero risk of panels falling with patented holding device
- Ergonomically designed for easy panel off-loading

## ALU Ranger

**CNC Panel Router with Vertical Table**  
for architectural facades panels fabrication.

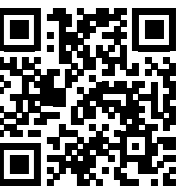


## OFF Loader

**Automatic Off Loader**  
for processed panels by a tiltable vacuum holding table. Patented.

## ALU Loader

**Loading - Positioning**  
device for architectural panels with holding arms with suction cups connected to the vacuum system of ALU Ranger. Patented.





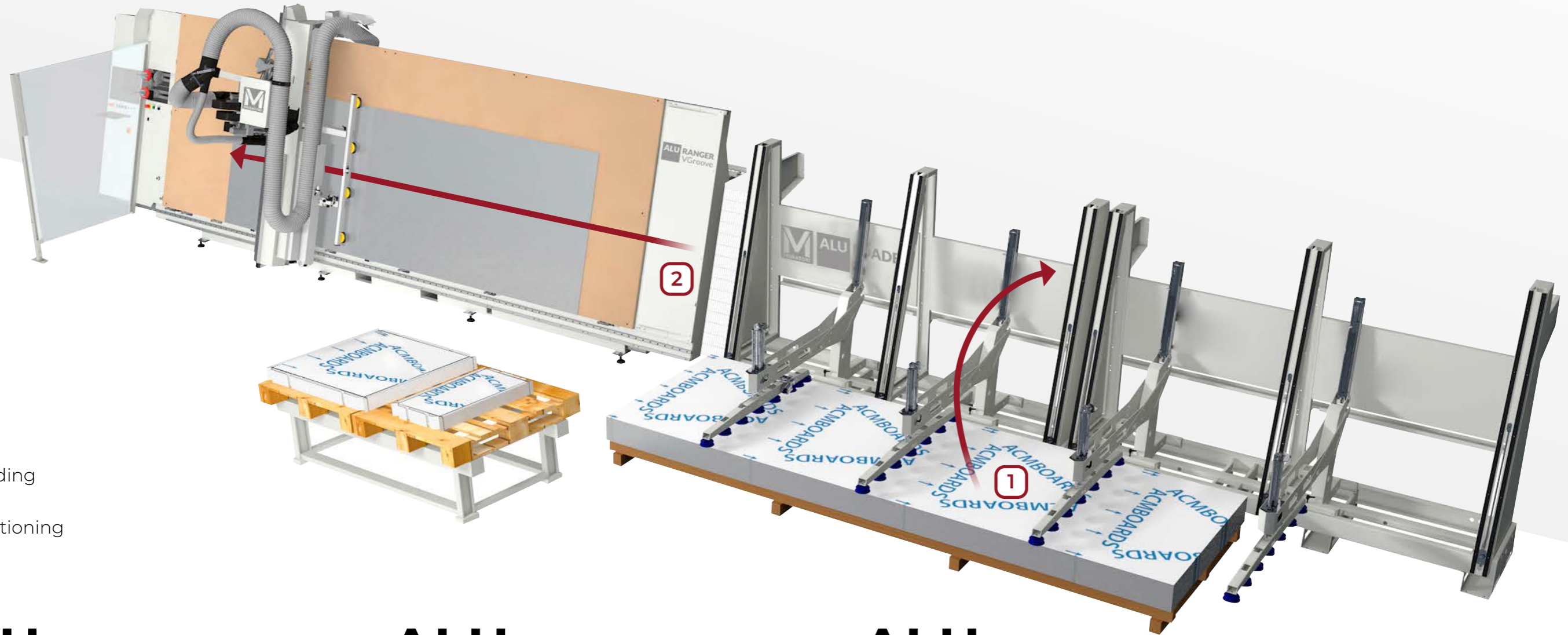
# ALU LOADER

PATENTED

42 / 63 / 101

Automatic **panel loader**  
for Alu Ranger

- Automatic panel loading without operators
- Automatic panel positioning - ALU Feeder
- Less risk of accidentally falling panels



1 Loading

2 Positioning

## ALU Loader 42

Max dimension of the panel

L min 2500 (8')  
max 4200 mm (14')  
H min 1000 (3' 3")  
max 2100 mm (6' 10")

Max. panel stacking height  
520 mm (20")

Max weight per panel

65 kg (143 lb)  
(optional available for heavier panels)



## ALU Loader 63

Max dimension of the panel

L min 2500 (8')  
max 8000 mm (26' 3")  
H min 1000 (3' 3")  
max 2100 mm (6' 10")

Max. panel stacking height  
520 mm (20")

Max weight per panel

130 kg (287 lb)  
(optional available for heavier panels)



## ALU Loader 101

Max dimension of the panel

L min 2500 (8')  
max 12000 mm (39' 4")  
H min 1000 (3' 3")  
max 2100 mm (6' 10")

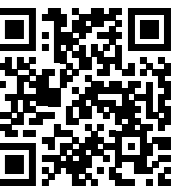
Max. panel stacking height  
520 mm (20")

Max weight per panel

250 kg (551 lb)  
(optional available for heavier panels)



We reserve the right to make modifications. The machine can include equipment not shown in standard version. For photographic reasons some units are without protections. The use of machine must be made with all protections installed.



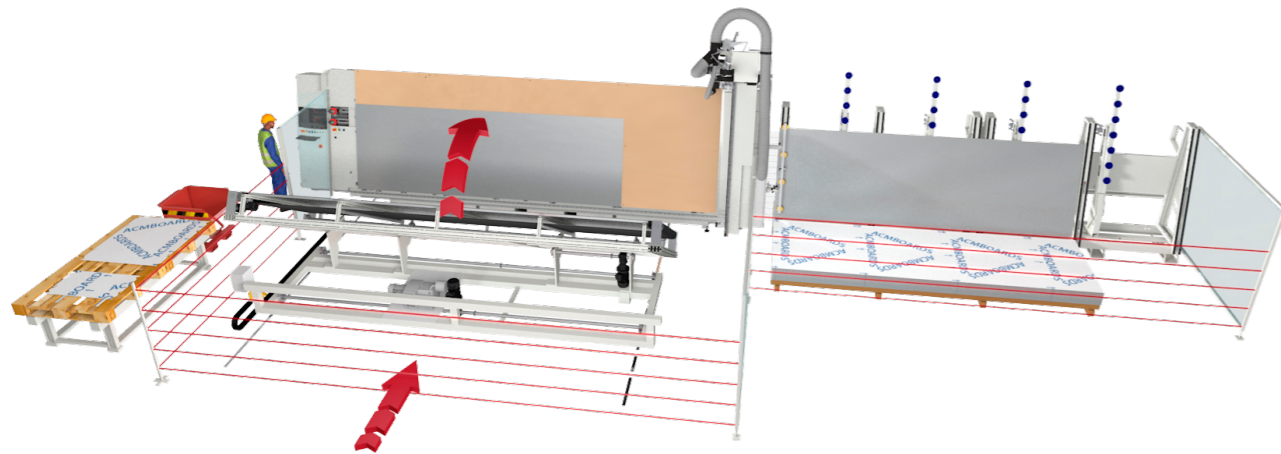
# OFF LOADER

## PATENTED

40 / 60

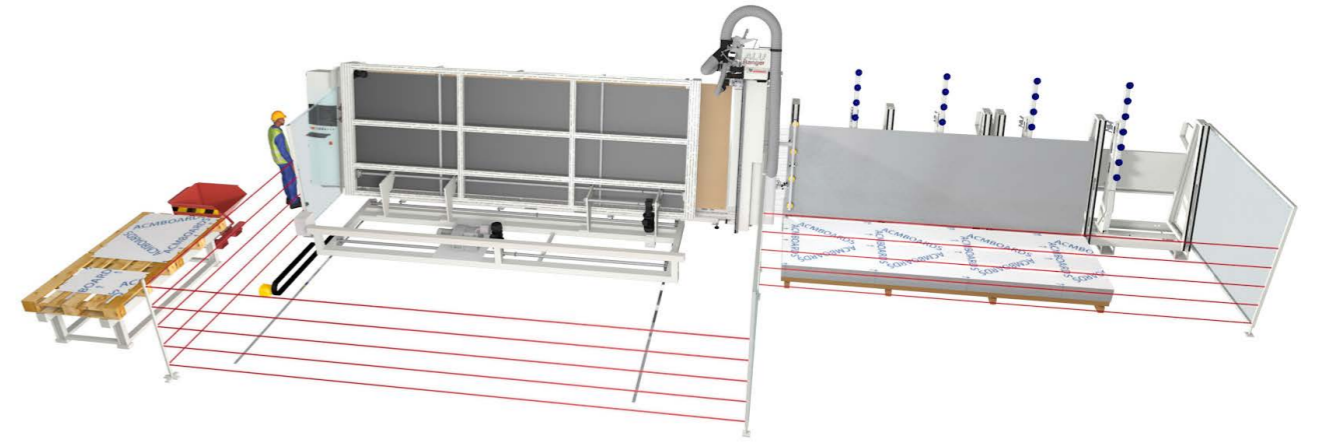
Automatic off-loading device for processed panels

Off Loader is a vacuum table covered by a conveyor mat. The table can tilt and move towards the working table of the Alu Ranger. Once the panels are completely covered and held, the Off Loader returns to the starting position to allow the operator to off load it.



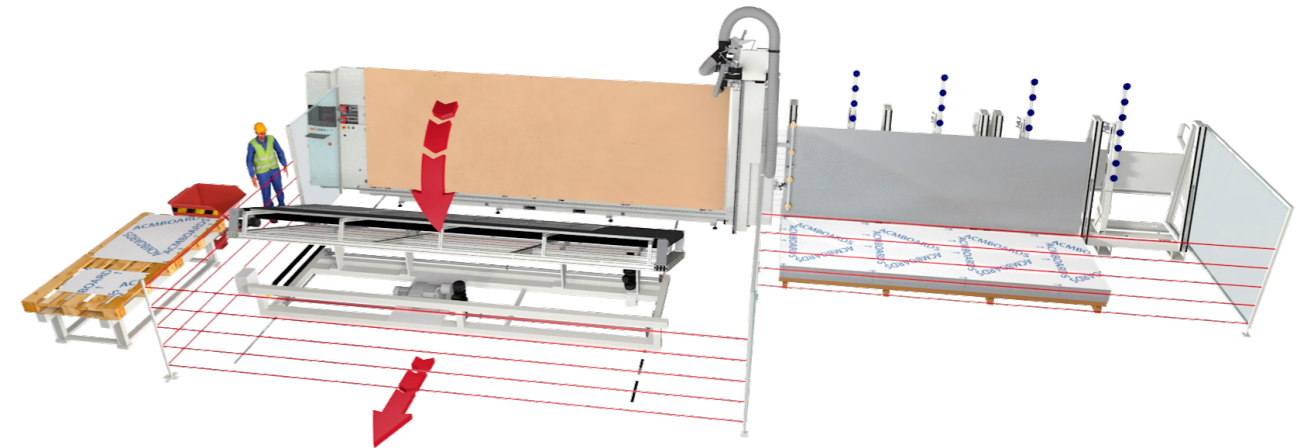
### Phase 1:

Off loading procedure starts automatically. Off Loader table tilting and approaching towards Alu Ranger.



### Phase 2:

Off loader completes the process when it touches the panels through a seamless vacuum transition from Alu Ranger to the Off Loader table.



### Phase 3:

Off Loader returns into horizontal position while moving back away from the panel router. Once the light curtains are unengaged the Alu Ranger commands Alu Feeder to load the next panel. During this phase Alu Ranger and Alu Loader safety light curtains are active.

## OFF Loader 40

Max off loading dimension

**L: max 3900 mm (12' 8")**

**H: max 2000 mm (6' 6")**

Min off loading dimension

**LxH: 500x500 mm (19")**

Max off loading weight

**75 kg**

## OFF Loader 60

Max off loading dimension

**L: max 6000 mm (19' 8")**

**H: max 2000 mm (6' 6")**

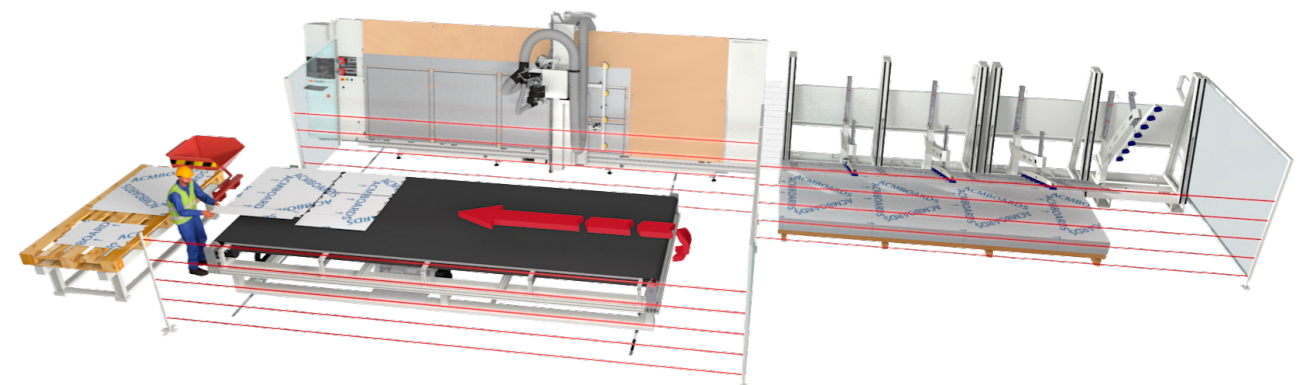
Min off loading dimension

**LxH: 500x500 mm (19")**

Max off loading weight

**100 kg**

We reserve the right to make modifications. The machine can include equipment not shown in standard version. For photographic reasons some units are without protections. The use of machine must be made with all protections installed.



### Phase 4:

The operator can pick up the panels from Off Loader table. The feeding of the mat can be activated by a pedal therefore the panels can easily be reached by the operator.



# MURATORI MACHINES



For three generations the Muratori family have been manufacturing machines for the wood processing industry, while evolving and diversifying its production to include machines for processing aluminium panels and composite materials. Suitable for architectural façade cladding, the transport industry, interior design and sign-making sectors.

**Antonio Muratori** received his training at and became an expert in the family business, where, thanks to almost three decades of experience, he has conceived, designed, and built the technology for automated handling and processing of composite panels.



## About us

Muratori Machines was established and followed in the footsteps of the tradition and know-how acquired by Casadei Industria ALU. It now has a robust industrial organisation where, under the guidance of Antonio Muratori, its technologies, machines and CNC for the processing of ACM, solid aluminium, aluminium honeycomb, HPL and fibre cement panels are designed and built. Professionalism, expertise and with an open mind making it possible to meet the needs of customers. Introducing automation to the world of composite panel processing, while responding to production requirements. Totally committed the team at Muratori Machines focuses on innovation and quality with a view to finding ground-breaking solutions and revolutionising design and manufacturing models.

## CNC machining innovation incorporating a Vertical Table

The innovation factor finds full expression in the vertical positioning of the working table. Thanks to automated panel loading, positioning and offloading systems, the integrated work cell achieves exceptional productivity levels.



## The advantages of a vertical system assure tangible results

- Reduced space requirements
- Quality assurance during processing
- Enhanced ergonomics and safety
- Single operator for process control





# VISION

*We aim to break the status quo and revolutionise traditional design and manufacturing methods, with a view to maximising ergonomics, operability, and ease of use.*

# MISSION

*We facilitate traditional production cycles for our customers. Using innovative technology within everyone's reach automating processes, involving composite material processing.*



# THANK YOU



On behalf of our employees and partners around the world, thank you for your interest in Muratori Machines.

Since the first ACM panel routed in 2006 we have one mission: to create and provide the best composite material panel handling and fabricating experience possible.

Muratori Machines have invested for the long term, consistently dedicating resources to researching and developing innovative panel routers, handling technologies and services that provide value to our customers.

This approach has culminated in our range: the Alu Ranger, Alu Loader, Double Loader, Off Loader, Alu Folder, Alu Bender, Alu Doubler.

In short, we have revolutionized the concept of panel routing and with it, the business of the panel fabricating industry.

Thank you again for your interest in exploring Muratori Machines.

We are ready to improve your business.

Sincerely,  
**Antonio Muratori**  
CEO  
*Muratori Machines*



The Vertical Revolution for composite panels

[muratorimachines.com](http://muratorimachines.com)